

DIM - PURE LEAD MULTI APPLICATION
DIM - 12200 (12V200AH)

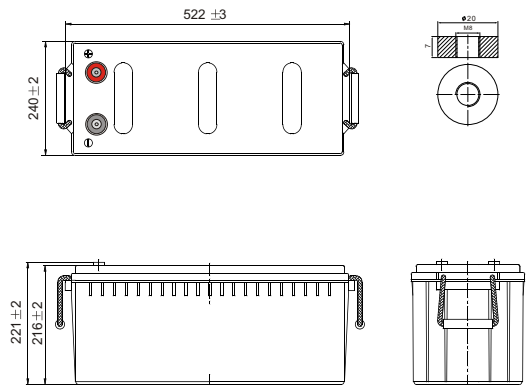


SPECIFICATIONS

RATED VOLTAGE	MODEL DIM-12200	12 V
NOMINAL CAPACITY	C10, 1.80V/cell	200 Ah
	C8, 1.75V/cell	200 Ah
DIMENSION	Length	522±3mm
	Width	240±2mm
	Container Height	216±2mm
	Total Height	221±2mm
APPROX. WEIGHT		60.70Kg
TERMINAL		M8
CONTAINER MATERIAL	ABS flame retardant jar and cover	
RATED CAPACITY	208.0 Ah	20Hr, 10.4A, 1.80V/cell
	200.0 Ah	10Hr, 20.0A, 1.80V/cell
	180.0 Ah	5Hr, 36.0A, 1.75V/cell
	164.1 Ah	3Hr, 54.7A, 1.75V/cell
	126.2 Ah	1Hr, 126.2A, 1.67V/cell
MAX. DISCHARGE CURRENT		2200A
INTERNAL RESISTANCE (25°C)	Approx. 3.05mΩ (Fully charged)	
OPERATING TEMP. RANGE	Discharge	-40~65°C
	Charge	0~54°C
	Storage	-20~40°C
NOMINAL OPERATING TEMP. RANGE		25±3°C
MAX. CHARGING CURRENT (25°C)		57.0 A
CHARGE VOLTAGE(25°C)	Float	13.62V
	Temp. Coefficient	-3mV/cell/°C
	Equalization	14.1~14.4V
EFFECT OF TEMP. TO CAPACITY	40°C	103%
	25°C	100%
	0°C	86%
SELF DISCHARGE	DIM series batteries can be stored up to 24 months at 25°C, For higher temperatures the time interval will be shorter. Battery needs to be given a freshening charge when the OCV approach 2.10V/cell or when the maximum storage time is reached, whichever occurs first.	



LAYOUT



CONSTANT CURRENT DISCHARGE (AMPERES) AT 25°C

F.V/Time	10 min	15min	20min	30min	45min	1h	2h	3h	4h	5h	8h	10h	20h
1.85V/cell	341.5	292.9	249.5	195.0	149.8	111.1	73.3	51.9	41.2	35.3	22.6	19.4	10.1
1.80V/cell	377.8	321.9	267.1	210.0	158.3	116.7	76.2	53.7	42.1	36.2	23.4	20.0	10.4
1.75V/cell	408.5	343.7	282.3	218.8	162.5	121.7	77.8	54.7	43.1	36.0	23.8	20.2	10.5
1.70V/cell	434.6	359.7	295.2	226.0	167.3	124.8	78.9	55.4	43.5	36.4	23.9	20.4	10.5
1.67V/cell	456.3	372.5	301.7	231.0	170.3	126.2	79.5	56.2	43.7	36.6	24.0	20.5	10.6
1.60V/cell	482.0	391.2	311.9	236.2	174.7	128.2	80.2	57.1	44.1	36.8	24.1	20.7	10.7

CONSTANT POWER DISCHARGE (WATTS/CELL) AT 25°C

F.V/Time	10 min	15min	20min	30min	45min	1h	2h	3h	4h	5h	8h	10h	20h
1.85V/cell	647.5	560.5	480.0	379.7	295.6	243.6	145.7	105.5	82.4	66.5	46.5	37.5	19.7
1.80V/cell	705.2	607.9	509.1	406.1	311.0	253.5	151.2	108.9	84.2	68.6	47.3	38.6	20.3
1.75V/cell	755.0	642.7	533.5	419.9	316.9	261.8	153.7	110.9	86.0	69.2	47.9	38.8	20.5
1.70V/cell	790.7	664.0	552.0	429.9	324.3	267.0	155.9	111.8	86.6	69.8	47.9	39.0	20.6
1.67V/cell	822.0	690.5	560.0	437.9	329.0	269.6	156.5	113.1	87.0	70.0	48.1	39.1	20.6
1.60V/cell	845.3	700.5	569.2	442.0	333.3	269.9	158.5	114.8	87.5	70.5	48.3	39.8	20.6