

DIM - PURE LEAD MULTI APPLICATION
DIM - 12100 (12V100AH)

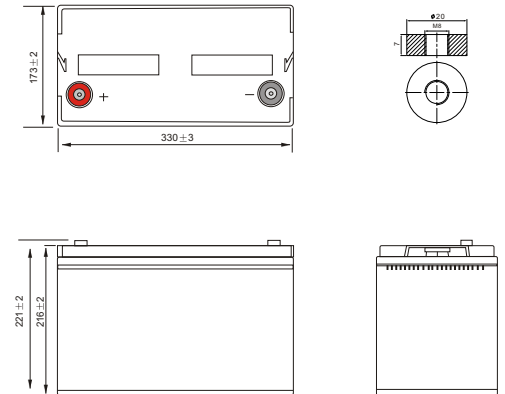


SPECIFICATIONS

RATED VOLTAGE	MODEL DIM-12100	12 V
NOMINAL CAPACITY	C10, 1.80V/cell	100 Ah
	C8, 1.75V/cell	100 Ah
DIMENSION	Length	330±3mm
	Width	173±2mm
	Container Height	216±2mm
	Total Height	221±2mm
APPROX. WEIGHT		25 75Kg
TERMINAL		M8
CONTAINER MATERIAL	ABS flame retardant jar and cover	
RATED CAPACITY	104.8 Ah	20Hr, 5.24A, 1.80V/cell
	99.1 Ah	10Hr, 9.91A, 1.80V/cell
	69.0 AH	5Hr, 19.2A, 1.75V/cell
	83.4 Ah	3Hr, 27.8A, 1.75V/cell
	75.1 AH	1Hr, 75.1A, 1.67V/cell
MAX. DISCHARGE CURRENT		1200A
INTERNAL RESISTANCE (25°C)	Approx. 3.1 mΩ (Fully charged)	
OPERATING TEMP. RANGE	Discharge	-40~65°C
	Charge	0~54°C
	Storage	-20~40°C
NOMINAL OPERATING TEMP. RANGE		25±3°C
MAX. CHARGING CURRENT (25°C)		21.0 A
CHARGE VOLTAGE(25°C)	Float	13.62V
	Temp. Coefficient	-3mV/cell/°C
	Equalization	14.1~14.4V
EFFECT OF TEMP. TO CAPACITY	40°C	103%
	25°C	100%
	0°C	86%
SELF DISCHARGE	DIM series batteries can be stored up to 24 months at 25°C, For higher temperatures the time interval will be shorter. Battery needs to be given a freshening charge when the OCV approach 2.10V/cell or when the maximum storage time is reached, whichever occurs first.	



LAYOUT



CONSTANT CURRENT DISCHARGE (AMPERES) AT 25°C

F.V/Time	10 min	15min	20min	30min	45min	1h	2h	3h	4h	5h	8h	10h	20h
1.85V/cell	180.8	152.1	131.3	99.7	80.3	66.4	38.0	26.2	22.3	18.3	11.9	9.65	5.12
1.80V/cell	204.0	170.1	141.4	105.2	83.9	69.7	39.7	27.4	23.2	18.9	12.2	9.91	5.24
1.75V/cell	221.2	179.3	147.8	108.3	86.0	71.4	40.9	27.8	23.6	19.2	12.5	10.0	5.30
1.70V/cell	236.5	189.6	155.2	112.2	88.2	72.9	41.6	28.0	24.0	19.4	12.5	10.0	5.38
1.67V/cell	251.7	199.3	162.3	116.6	91.0	75.1	42.6	29.3	24.3	19.6	12.5	10.1	5.42
1.60V/cell	268.3	209.6	169.2	120.5	93.9	76.5	44.0	29.9	24.5	19.8	12.6	10.1	5.51

CONSTANT POWER DISCHARGE (WATTS/CELL) AT 25°C

F.V/Time	10 min	15min	20min	30min	45min	1h	2h	3h	4h	5h	8h	10h	20h
1.85V/cell	343.1	290.4	252.7	194.0	158.6	131.7	75.8	52.8	45.4	37.3	24.3	19.9	10.5
1.80V/cell	380.8	321.1	269.4	203.5	164.9	137.4	78.9	55.3	47.0	38.4	24.6	20.3	10.7
1.75V/cell	408.7	335.3	279.3	207.7	167.7	140.0	80.8	56.0	47.9	38.8	24.9	20.4	10.7
1.70V/cell	430.4	350.2	290.4	213.5	170.9	142.1	81.9	57.6	48.4	39.3	25.4	20.4	10.9
1.67V/cell	453.6	364.4	301.1	220.8	175.8	145.8	83.7	58.8	49.3	39.8	25.5	20.5	11.0
1.60V/cell	470.5	375.2	308.8	225.4	179.3	147.2	85.4	59.6	50.0	40.3	25.5	20.5	11.2